

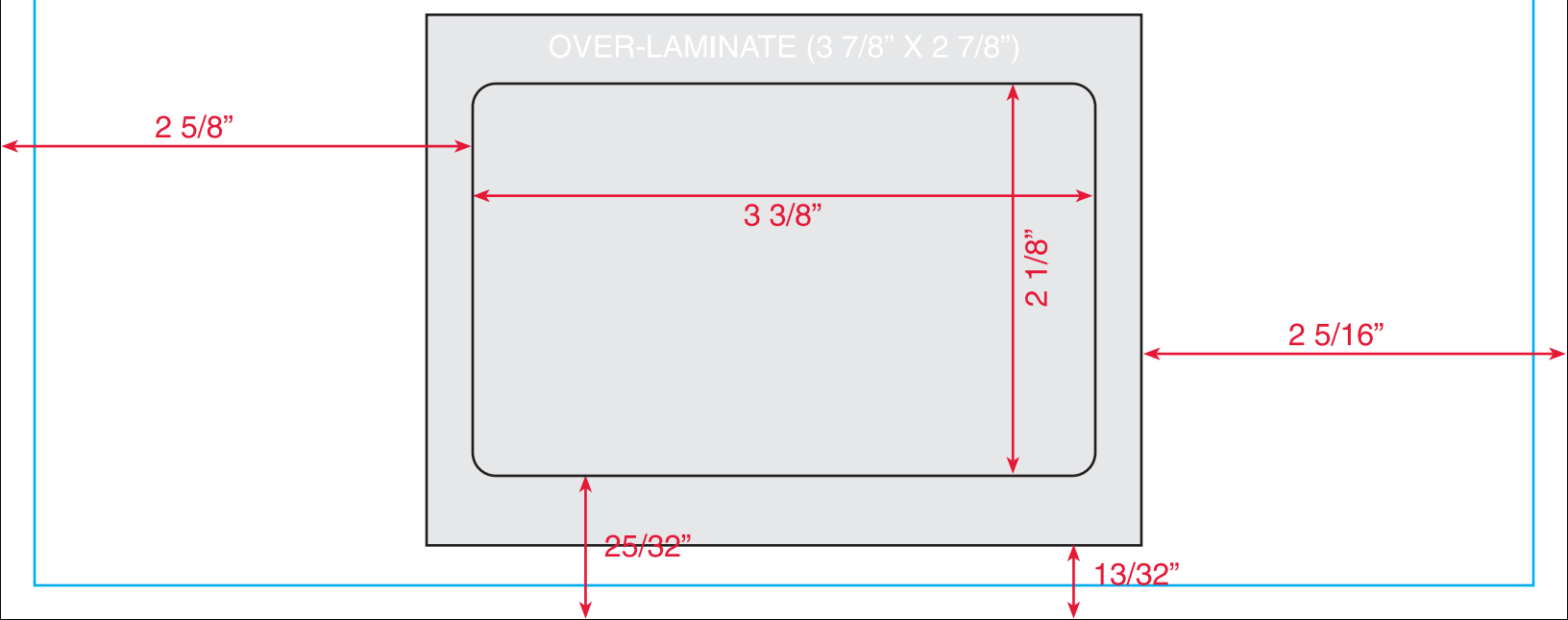
Item BL-0020

(Front)

8 1/2" x 11" Cutsheet with 3 3/8" x 2 1/8" Drylift  
with Laser Overlam and Clear Underlam

← sheet size

← safety



Item BL-0020

(Back)

8 1/2" x 11" Cutsheet with 3 3/8" x 2 1/8" Drylift  
with Laser Overlam and Clear Underlam

← sheet size

← safety

